



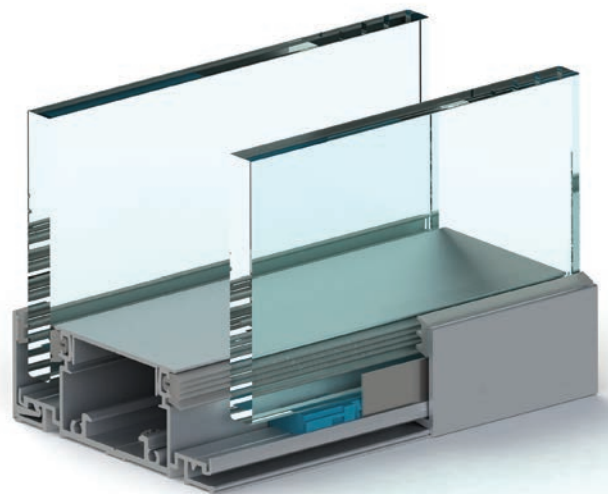
Glass wall system

GSW Office Plus



System features

- double glazed wall system with 35mm mounting profile, consistent with all GSW Office products,
- high acoustic insulation parameters: R_w up to 51 dB - for use in rooms requiring attention,
- quick and easy assembly thanks to a system of spacers and special plates for glass protection during installation,
- system with CE marking based on European Technical Assessment issued by the Building Research Institute after safety and acoustic tests,
- various finishing options - aluminum profiles available in a wide range of anodic or powder coating colors with the matching color of gaskets.

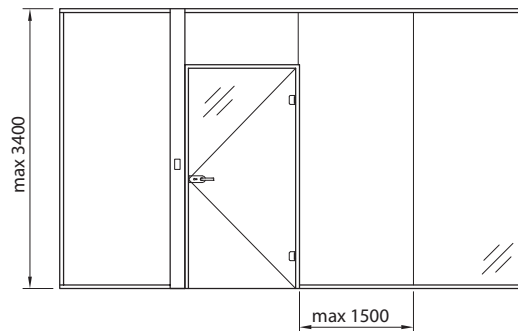


Specification

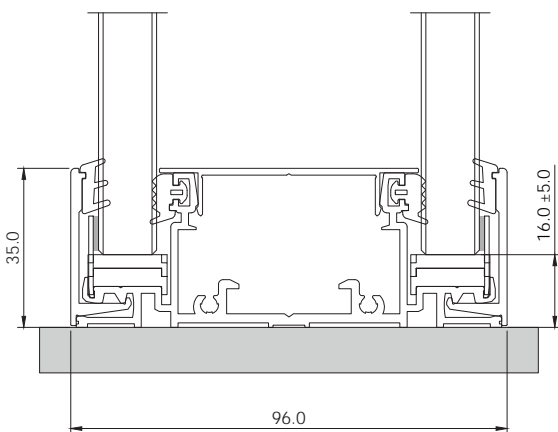
Category of use	IV
Category of space	A, B, C, D, E
Type of glass	ESG 10, 12; VSG 55.1, 55.2, 66.1, 66.2, 88.2*
Max. height (mm)	3400**
Acoustic insulation	R_w max 51 dB / R_{A1} max 50 dB
Material/finish	Anodized aluminium / RAL aluminium
Approval document	ETA-17/----

*the use of glass 88.2 requires additional consultation

**above 2800 mm it is recommended to use glass ESG 12 or VSG 66.X / 88.X



Airborne sound insulation



Glass	R_w [dB]	C [dB]	R_{A1} [dB]
ESG 10 / ESG 10	41	-2	39
VSG 55.1 / VSG 55.1	41	-2	39
ESG 10 / VSG 55.1	43	-1	42
VSG 55.1 / VSG 66.2	44	-2	42
VSG 66.2 / VSG 66.2	44	-1	43
VSG 66.2 Si* / VSG 55.1	45	-2	43
VSG 66.2 Si* / VSG 55.2 Si*	47	-2	45
VSG 66.2 Si* / VSG 66.2 Si*	48	-1	47
VSG 88.2 Si* / VSG 88.2 Si*	51	-1	50

* Si - Saint-Gobain Glass Stadip Silence

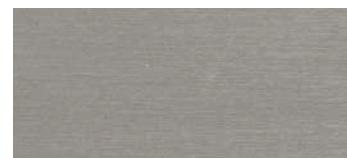
Material and finish



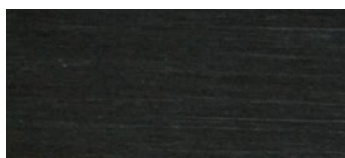
Alu E2/C-0 silver anod.



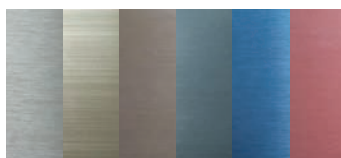
Alu E2/C-31 acier anod.



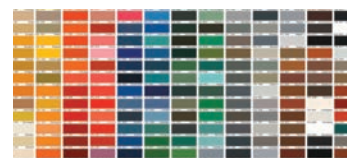
Alu E2/inox anod. polished



Alu E2/C-35 black anod.



Alu special anod.



Alu RAL

E2 - brushed surface / pre-treatment according to DIN 17611

C-0, C-31, C-35 - anodized surface color according to EURAS color swatch