



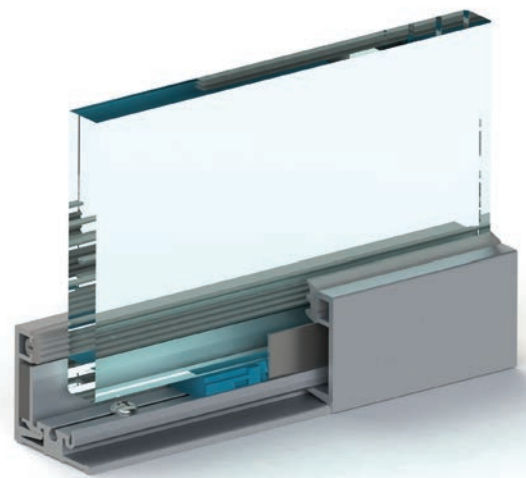
Glass wall system

## GSW Office



### System features

- ✓ small and lightweight 35mm mounting profile, consistent with all GSW Office products,
- ✓ enhanced acoustic insulation due to the innovative IsoSound solution that reduces the penetration of sound through the profile,
- ✓ quick and easy assembly thanks to a system of spacers and special plates for glass protection during installation,
- ✓ system with CE marking based on European Technical Assessment issued by the Building Research Institute after safety and acoustic tests,
- ✓ various finishing options - aluminum profiles available in a wide range of anodic or powder coating colors with the matching color of gaskets.

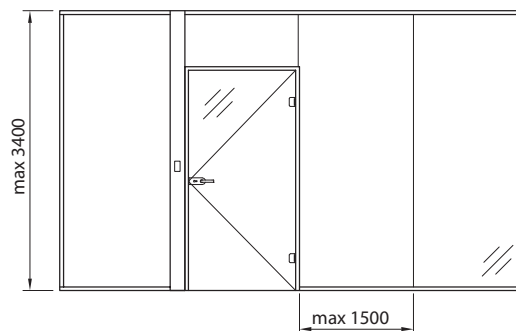


## Specification

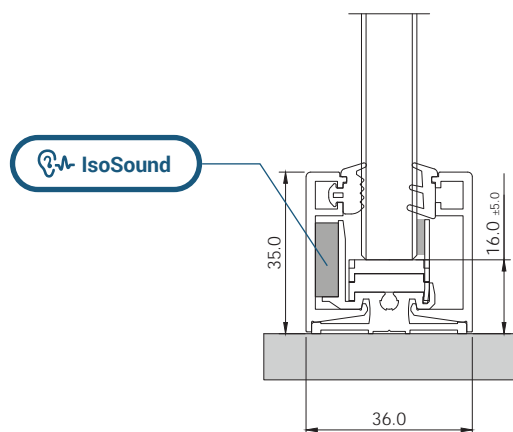
<b>Category of use</b>	IV
<b>Category of space</b>	A, B, C, D, E
<b>Type of glass</b>	ESG 10, 12; VSG 55.1, 55.2, 66.1, 66.2, 88.2*
<b>Max. height (mm)</b>	3400**
<b>Acoustic insulation</b>	$R_w$ max 40 dB / $R_{A1}$ max 39 dB
<b>Material/finish</b>	Anodized aluminium / RAL aluminium
<b>Approval document</b>	ETA-16/0446

\*the use of glass 88.2 requires additional consultation

\*\*above 2800 mm it is recommended to use glass ESG 12 or VSG 66.X / 88.X



## Airborne sound insulation



Glass	$R_w$ [dB]	C [dB]	$R_{A1}$ [dB]
ESG 10	33	-2	31
VSG 55.1	35	-2	33
VSG 66.2	37	-2	35
VSG 66.2 Silence*	38	-1	37
VSG 88.2 Silence*	40	-1	39

\* Saint-Gobain Glass Stadip Silence

## Material and finish



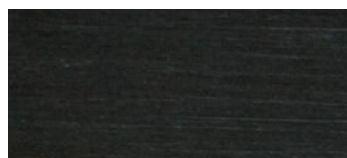
Alu E2/C-0 silver anod.



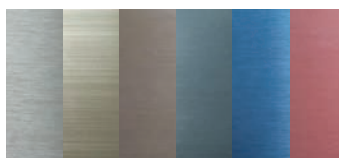
Alu E2/C-31 acier anod.



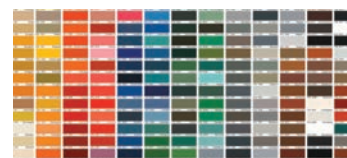
Alu E2/inox anod. polished



Alu E2/C-35 black anod.



Alu special anod.



Alu RAL

E2 - brushed surface / pre-treatment according to DIN 17611

C-0, C-31, C-35 - anodized surface color according to EURAS color swatch