

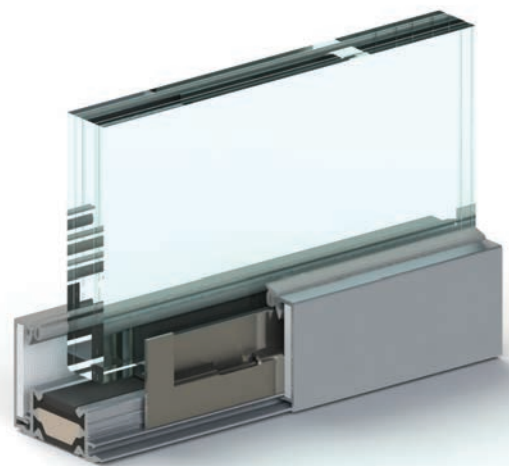


Glass wall system

## GSW Office FR

### System features

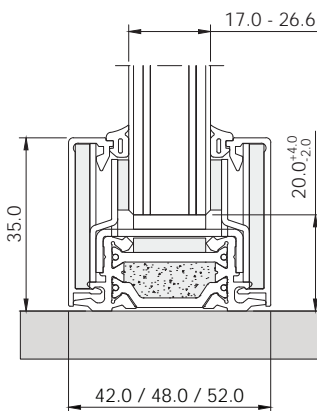
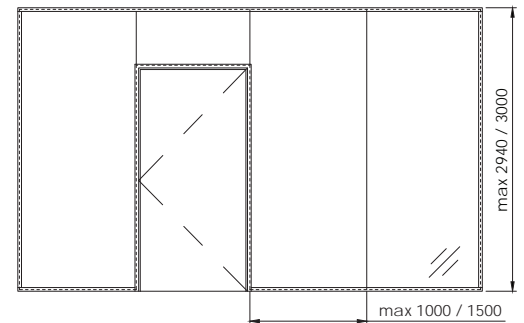
- profile height of 35 mm ensures not only attractive design, but also full consistency with all other products from the GSW Office family
- fire resistance depending on the used glass – EI15, EI30 or EI60 – allows to properly select wall parameters to meet the requirements of a given design
- innovative mounting system – steel elements fixing glass do not require screwing and are used for mounting cover profiles at the same time
- system with CE marking based on European Technical Assessment issued by the Building Research Institute after fire resistance, safety and acoustic tests,
- various finishing options - aluminum profiles available in a wide range of anodic or powder coating colors with the matching color of gaskets.



## Specification

<b>Category of use</b>	IV
<b>Category of space</b>	A, B, C, D, E
<b>Type of glass</b>	Contraflam Structure 30 / 30 Lite, Pyrobel 16 VL, 25 VL
<b>Max. height (mm)</b>	3000*
<b>Acoustic insulation</b>	$R_{w}$ 38÷42 dB / $R_{A1}$ 36÷41 dB
<b>Fire resistance</b>	EI 15 / EI 30 / EI 60
<b>Material/finish</b>	Anodized aluminium / RAL aluminium
<b>Approval document</b>	ETA-18/1097

\* depending on the glass used



## Fire resistance

Glass	Fire resistance class
Contraflam Structure Lite 30	EI 15 / EW 30
Contraflam Structure 30	EI 30 / EW 30
Pyrobel 16 VL	EI 30 / EW 30
Pyrobel 25 VL	EI 60 / EW 60

## Airborne sound insulation

Glass	$R_{w}$ [dB]	C [dB]	$R_{A1}$ [dB]
Contraflam Structure Lite 30	38	-2	36
Pyrobel 16 VL	38	-1	37
Contraflam Structure 30	40	-2	38
Contraflam Structure Silence 30	42	-1	41

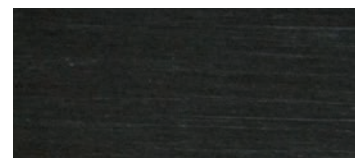
## Material and finish



Alu E2/C-0 silver anod.



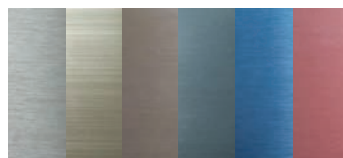
Alu E2/inox anod. polished



Alu E2/C-35 black anod.



Alu E2/C-31 acier anod.



Alu special anod.



Alu RAL

E2 - brushed surface / pre-treatment according to DIN 17611

C-0, C-31, C-35 - anodized surface color according to EURAS color swatch